

BNC 系列射频同轴连接器

(版本: V0.0)

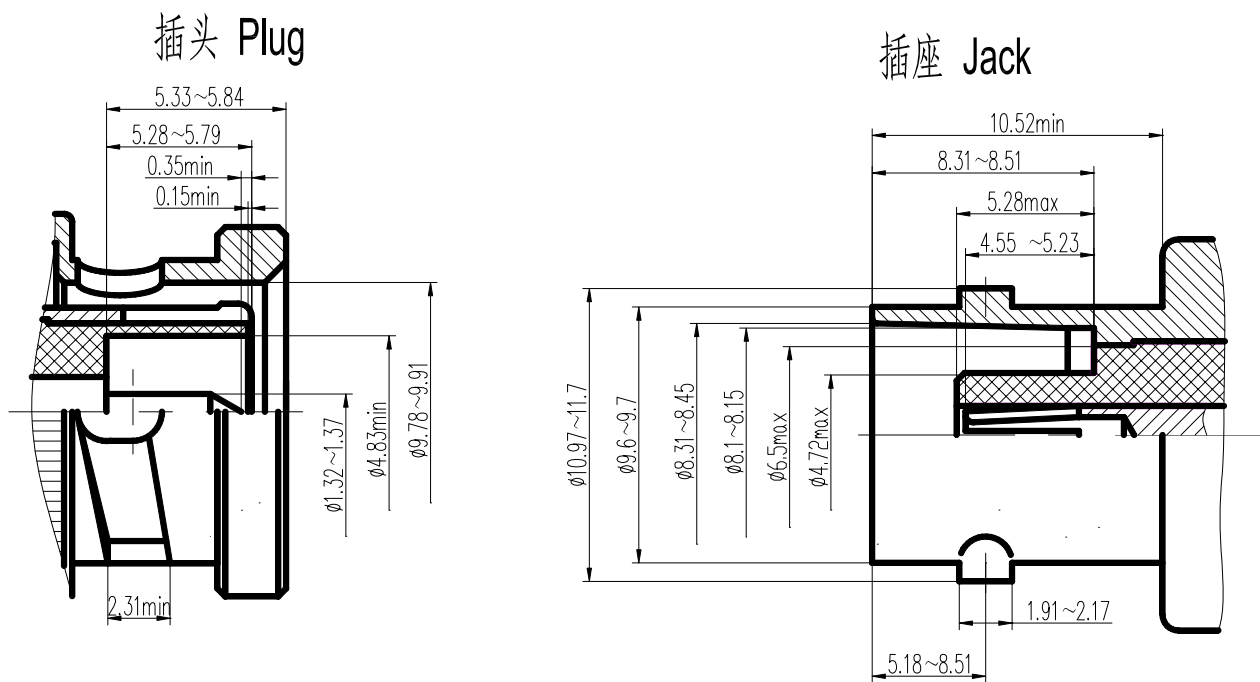
一、主要特点

BNC 连接器适用于低功率, 它利用卡口连接机构以获得快速连接和分离, 广泛地用于无线电设备和电子仪器中连接射频同轴电缆, 特性阻 50Ω 和 75Ω 。

MAIN CHARACTERISTICS

The BNC Connectors are for low power, quick connect/disconnect applications using a bayonet type coupling mechanism. They are widely used connect of the RF coaxial-cables in electronic equipment and instruments. Characteristic impedance 50Ω and 75Ω .

二、界面尺寸 (50Ω)



三、材料与涂覆 (镀层厚度可根据用户要求确定)

名称	材料	涂覆
外壳	铅黄铜	镀镍或金
插针	铅黄铜	镀金
插孔	锡青铜	镀金
绝缘体	聚四氟乙烯	
密封件	硅橡胶	
夹紧套	黄铜	镀镍

四、技术特性: TECHNICAL CHARACTERISTICS

环境温度 Temp.range: $-40 \sim 155^{\circ}\text{C}$ (注: 装聚乙烯电缆 PE cable $-40 \sim 85^{\circ}\text{C}$).

(版本: V0.0)

工作电压 Rated voltage:

在 5.4KPa 时 At 5.4KPa:125V.

在海平面上 At sea level:500V .

内导体拔出力 Center conductor withdrawal force : $\geq 0.57\text{N}$.**接触电阻 Contact resistance:**内导体间 Center conductor: $\leq 10\text{m}\Omega$ 外导体间 Outer conductor: $\leq 2.5\text{m}\Omega$.**绝缘电阻 Insulation Resistance: $\geq 5000\text{M}\Omega$.****耐压(50Hz,有效值) Voltage proof(50Hz,rms):**


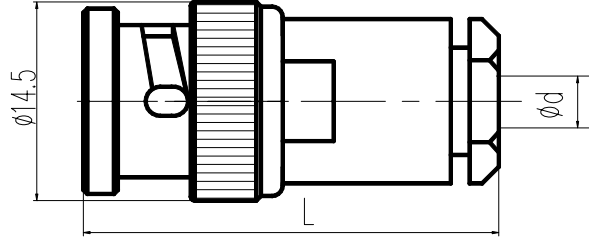

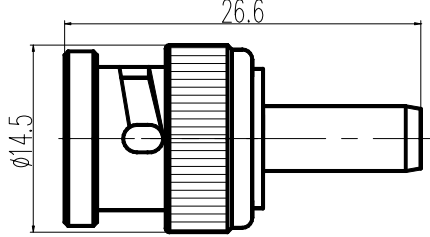

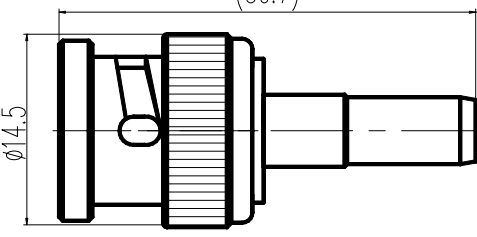

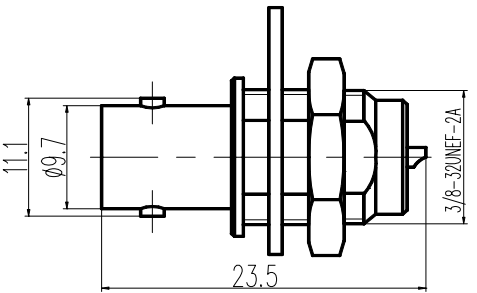

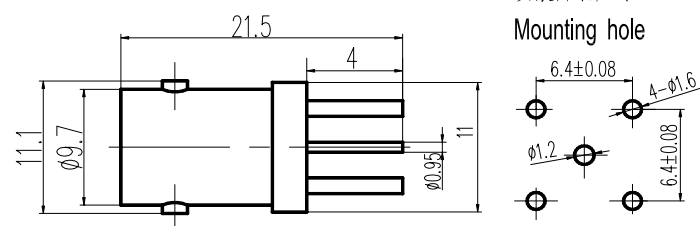
在海平面上 At sea level:1500V.


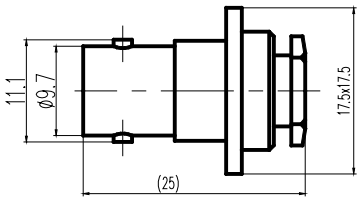
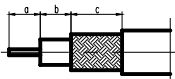

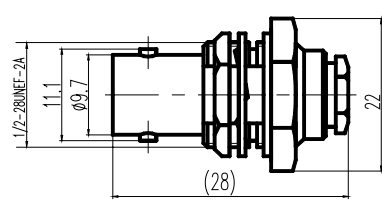
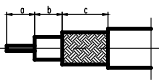

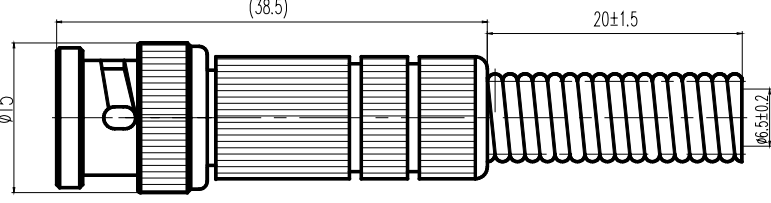

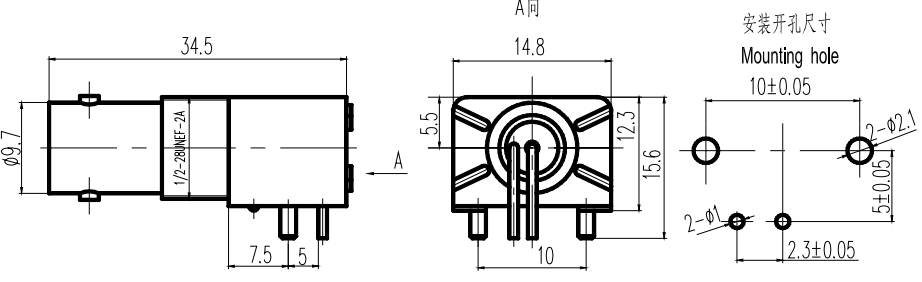

在 5.4KPa 时 At 5.4KPa:300V.

电压驻波比 VSWR: ≤ 1.3 **机械耐久性 Durability:500 次 Cycles.****适用标准 Applicable standard: GB11315 - 89**

IEC61169 - 8

MIL - C - 39012

 <p>BNC-J3等</p>	 <table border="1" data-bbox="1141 324 1452 459"> <thead> <tr> <th>Type</th> <th>d</th> <th>Cable type</th> </tr> </thead> <tbody> <tr> <td>BNC-J3</td> <td>3.0</td> <td>SYV-50-2-1</td> </tr> <tr> <td>BNC-J4</td> <td>4.2</td> <td>SYV-50-2-2</td> </tr> <tr> <td>BNC-J5</td> <td>5.3</td> <td>SYV-50-3</td> </tr> <tr> <td>BNC-J21</td> <td>6.4</td> <td>SDY-4,SYV-75-4</td> </tr> </tbody> </table>	Type	d	Cable type	BNC-J3	3.0	SYV-50-2-1	BNC-J4	4.2	SYV-50-2-2	BNC-J5	5.3	SYV-50-3	BNC-J21	6.4	SDY-4,SYV-75-4
Type	d	Cable type														
BNC-J3	3.0	SYV-50-2-1														
BNC-J4	4.2	SYV-50-2-2														
BNC-J5	5.3	SYV-50-3														
BNC-J21	6.4	SDY-4,SYV-75-4														
 <p>BNC-JMY 等</p>	<p>电缆剥线尺寸</p>  <table border="1" data-bbox="1061 750 1428 828"> <thead> <tr> <th>Type</th> <th>a</th> <th>b</th> <th>c</th> <th>Cable type</th> </tr> </thead> <tbody> <tr> <td>BNC-4Y</td> <td>3.8</td> <td>4</td> <td>9.5</td> <td>SFF-50-2-2,SYV-50-2-2</td> </tr> <tr> <td>BNC-5Y</td> <td>3.8</td> <td>4</td> <td>9.5</td> <td>SYV-50-3</td> </tr> </tbody> </table>	Type	a	b	c	Cable type	BNC-4Y	3.8	4	9.5	SFF-50-2-2,SYV-50-2-2	BNC-5Y	3.8	4	9.5	SYV-50-3
Type	a	b	c	Cable type												
BNC-4Y	3.8	4	9.5	SFF-50-2-2,SYV-50-2-2												
BNC-5Y	3.8	4	9.5	SYV-50-3												
 <p>BNC-75J3YA</p>	<p>电缆剥线尺寸</p>  <table border="1" data-bbox="1069 1097 1444 1153"> <thead> <tr> <th>Type</th> <th>a</th> <th>b</th> <th>c</th> <th>Cable type</th> </tr> </thead> <tbody> <tr> <td>BNC-75J3YA</td> <td>2.3</td> <td>2.2</td> <td>5.4</td> <td>SFYZ-75-2-1</td> </tr> </tbody> </table>	Type	a	b	c	Cable type	BNC-75J3YA	2.3	2.2	5.4	SFYZ-75-2-1					
Type	a	b	c	Cable type												
BNC-75J3YA	2.3	2.2	5.4	SFYZ-75-2-1												
 <p>BNC-50KY</p>	<p>安装开孔尺寸 Mounting hole</p>  <p>3/8-32UNEF-2A</p>															
 <p>BNC-50KH</p>	<p>安装开孔尺寸 Mounting hole</p>  <p>6.4±0.08</p> <p>4-01.6</p> <p>01.2</p> <p>6.4±0.08</p> <p>11</p> <p>00.95</p>															

 <p>BNC-KF3</p>	<p>安装开孔尺寸 Mounting hole</p>  <p>电缆剥线尺寸 Cable stripping dimensions</p>  <table border="1" data-bbox="1061 324 1396 392"> <thead> <tr> <th>Type</th> <th>a</th> <th>b</th> <th>c</th> <th>Cable type</th> </tr> </thead> <tbody> <tr> <td>BNC-KF3</td> <td>5</td> <td>0.7</td> <td>7</td> <td>SFF-50-1.5-1,SYV-50-2-1</td> </tr> </tbody> </table>	Type	a	b	c	Cable type	BNC-KF3	5	0.7	7	SFF-50-1.5-1,SYV-50-2-1
Type	a	b	c	Cable type							
BNC-KF3	5	0.7	7	SFF-50-1.5-1,SYV-50-2-1							
 <p>BNC-KY2</p>	<p>安装开孔尺寸 Mounting hole</p>  <p>电缆剥线尺寸 Cable stripping dimensions</p>  <table border="1" data-bbox="1045 694 1348 750"> <thead> <tr> <th>Type</th> <th>a</th> <th>b</th> <th>c</th> <th>Cable type</th> </tr> </thead> <tbody> <tr> <td>BNC-KY2</td> <td>2.5</td> <td>10.5</td> <td>5.3</td> <td>SFF-50-1,SYV-50-1</td> </tr> </tbody> </table>	Type	a	b	c	Cable type	BNC-KY2	2.5	10.5	5.3	SFF-50-1,SYV-50-1
Type	a	b	c	Cable type							
BNC-KY2	2.5	10.5	5.3	SFF-50-1,SYV-50-1							
 <p>BNC-JS Φ6</p>											
 <p>BNC-KWHD</p>	<p>安装开孔尺寸 Mounting hole</p> 										
 <p>BNC-M-KRY</p>	<p>安装开孔尺寸 Mounting hole</p> 