

CHINVAY

APPROVAL SHEET

CUSTOMER :

ITME : 圆形连接器-3V3J

MODEL : DMP1-3V3J-73

MATERIEL NO:

DATE : 08/08/2007

APPROVED BY:

深圳市创宇伟业科技有限公司

地 址: 深圳市龙岗区葵冲镇奔康工业区 B-7 栋 3 楼

电 话: 0755-8977 3388 8312 0030

传 真: 0755-8312 0032 8977 5511

网 站: www.chinvay.com

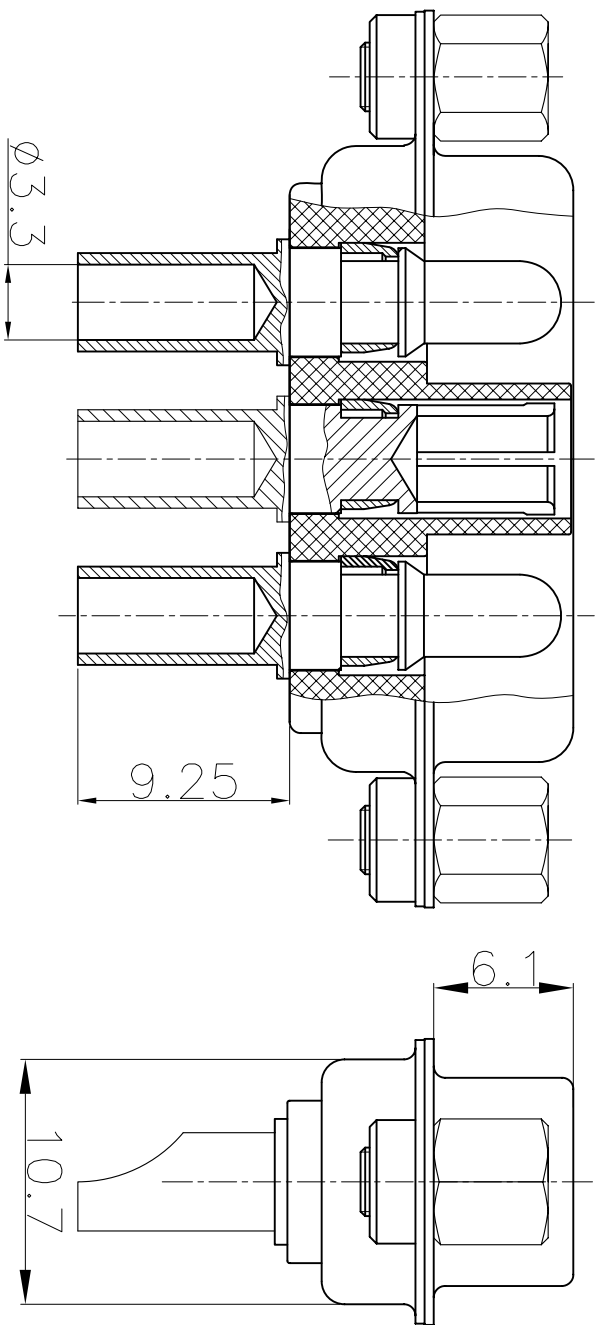
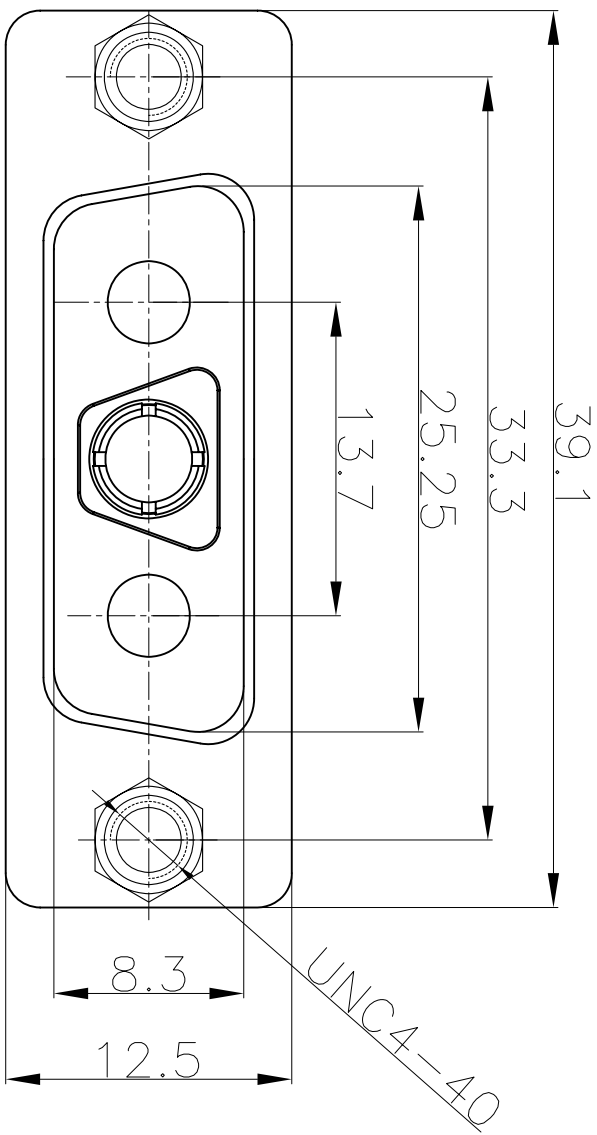
阿里巴巴: cywy01.cn.alibaba.com

销售经理: 胡先生 手机: 136 0251 1930

邮 件 I: hkn@chinvay.com

邮 件 II: hukn999@163.com

REV.	ECON NO.	LOCATION	DESCRIPTION	DATE	DESIGN
V0.0			初版发行	2007/1/08	



NOTES:

1. Material :
Housing: PBT301-G30 UL94V-0, Black;
Contact: Copper Alloy Gold plating ;
Shell: Spec Ni plating;
2. Accord with "ROHS".
3. Electrical performances
Rated current: 30A;
Contact resistant: $\leq 5m\Omega$;
Insulation resistant: $\geq 1000M\Omega$
Withstand voltage: AC 1000V/1min
4. Mechanical performances
Range: $-55\sim 105^{\circ}C$
Lift test: 500 cycles

DIM	TOL	DIM	TOL
X	± 0.1	X	$\pm 2^{\circ}$
.X	± 0.1	X	
.XX	± 0.1	.XX	
.XXX		.XXX	

		深圳市创宇伟业科技有限公司	
DRAW NO.	FILE NO.	DATE	TITLE: D型两针一孔长焊线插头
CHECK:	DESIGN:		P/N: DMP1-3V3J-73
REV.	APPROVAL:		SHEET: 1/1
V0.0			SCALE: 1:1
			UNIT: mm

一.	Material NO 物料代码:	
二.	Material Name 物料名称:	D 型混装两针一孔焊线插头
三.	Product Type 产品型号:	DMP1-3V3J-73

四. **Technical features 技术参数:**

1. Electric characteristic 电气特性

- 1.1 Rated current 额定电流: 30A
- 1.2 Rated voltage 额定电压: 250V
- 1.3 Insulation resistance 绝缘电阻: $\geq 1000M\Omega$
- 1.4 Voltage proof 耐电压: 1000V AC
- 1.5 Contact resistance 接触电阻: $\leq 5 m\Omega$



2. Mechanical characteristic 机械特性

- Mating Force 插入力: $\leq 5.0N$
- Unmating Force 分离力: $\geq 1.0N$
- Mechanical Durability 机械寿命: 500cycles 500 次

3. Material and surface plating 材料及表面处理

3.1 Contact 接触件

- Material 材料: Copper alloy 铜合金
- production Technique 生产工艺: Turing 车削加工
- Surface plating 表面处理: Plating 5u", Gold over Nickel

3.2 Housing 基座

- Material 材料: PBT, With GF, UL 94V-0 Black
- production Technique 生产工艺: Injecting 注塑加工

3.3 Sheel 外壳

- Material 材料: Steel Strip 钢带
- production Technique 生产工艺: Punching 冲压加工
- Surface plating 表面处理: Plating Ni 镀镍

3.4 Unt 螺母

- Material 材料: Copper alloy 铜合金
- production Technique 生产工艺: Turing 车削加工
- Surface plating 表面处理: Plating Ni 镀镍

4. Environment 工作环境

- Temperature range 工作温度: $-55^{\circ}C \sim 105^{\circ}C$
- Ralative humidity 相对湿度: $40^{\circ}C$ 时, (90-95) %
- Vibration 振动: 10Hz~2000Hz, Acceleration 加速度 $196m/s^2$
- Shock 冲击: Acceleration $490 m/s^2$

五. **Most figure size 最大外型尺寸:** 39.1×12.5×21.7

六. **Material introduction** 物料简介:

1. **Basic instance** 基本情况

The design of electrical features and Mechanical features is based on IEC60807-2.

电性能和机械性能依据 IEC60807-2、IEC60603-2 标准进行设计。

The connector is socket of Series D Rectangular Connector. Its terminal method is wire jointing, it could be applied with DMP-3V3K.

该连接器为 D 系列矩形混装插头，端接方式为导线焊接，可与 DMP-3V3K 配合使用。

2. **Pack and Storage** 包装储存

Products are Packed with plastic box. The packing list must be in the packing box which has been gave clear indication of designation、type、lot number and products total number。

The products with packing are saved up at storeroom which environment temperature is 5℃~30℃, humidity≤80%, no acidity、no alkalescence and other corrosive gas, under these conditions the stockpile period doesn't exceed tow years from production date.

产品采用吸塑盒包装，箱内应有装箱单，装箱单及包装箱上注明产品名称、型号、批号及产品总数量。

包装好的产品应放环境温度为 5℃~30℃，相对湿度在 80% 以下，周围空气中无酸性、碱性或其他腐蚀性气体的库房里储存，在上述条件下，储存期自生产日期不超过两年。

3. **In point criterion** 适用标准: IEC60807-2

4. **Technique use** 工艺使用:

Wire jointing 导线焊接