

CHINVAY

APPROVAL SHEET

CUSTOMER :

ITME : 10PIN MINI USB 连接器

MODEL : MUC-AB10D3-S

DATE : 08/08/2007

APPROVED BY:

深圳市创宇伟业科技有限公司

地 址： 深圳市龙岗区葵冲镇奔康工业区 B-7 栋 3 楼

电 话： 0755-8977 3388 8312 0030

传 真： 0755-8312 0032 8977 5511

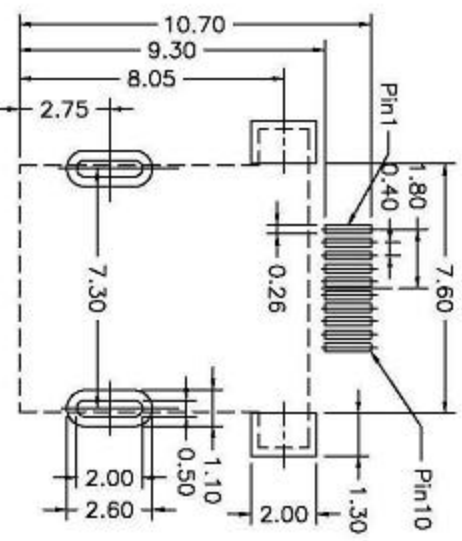
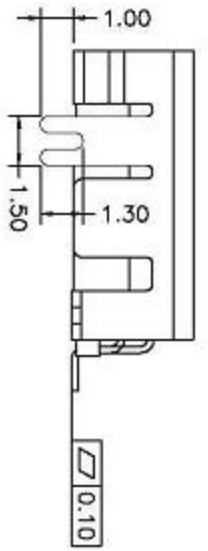
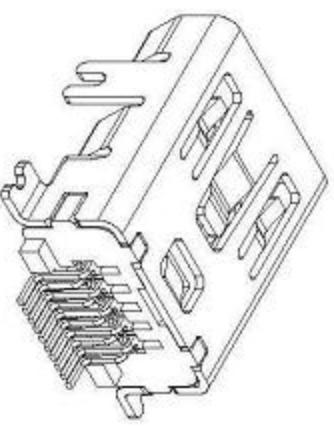
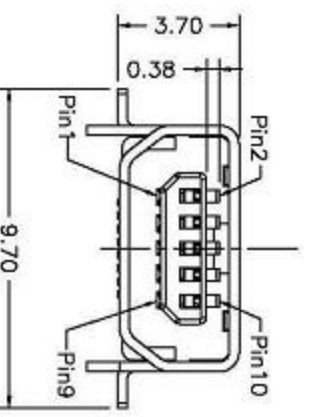
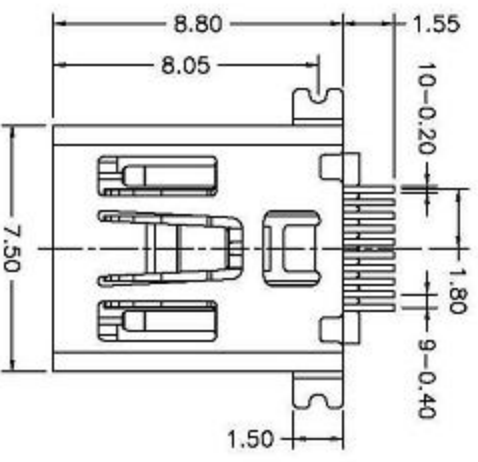
网 站： www.chinvay.com

阿里巴巴： cywy01.cn.alibaba.com

销售经理： 胡先生 手机： 136 0251 1930

邮 件 I： hkn@chinvay.com

邮 件 II： hukn999@163.com



P.C. Board Layout

- Note:**
- Material:**
Housing: LCP Glass Filled, Black, UL94V-0.
Terminal: Copper Alloy Thickness = 0.2mm.
Shield Case: Copper Alloy Thickness = 0.3mm.
 - Plating:**
Terminal:
Plating: Gold plated over Nickel.
contact 10u" other Gold flash.
Under Plating: Nickel 50u" Minimum.
Shield Case:
Tin-Lead 100u" Minimum.
Under Plating: Nickel 50u" Minimum.
 - Tail & Nail Coplanarity 0.1mm Maximum.**

REV.	SPECIFICATION	ECN NO.	APPD.

DIM	TOL	DIM	TOL
x	±0.15	x	
y	±0.10	y	
xx	±0.05	xx	

		深圳市创宇伟业科技有限公司	
		FILE NO.	DATE
DRAW NO.	DESIGN:	P/N:	MUC-AB10D3-S
REV. V0.0	CHECK:	SHEET	1/1

PRODUCTS SPECIFICATION APPROVAL SHEET

Part number and description

Part Number	Description	Plating of contact
MUC-AB10D3-S	Mini USB 10Pins SMD Type	Gold Plated over Nickel

Part number order system

MUC-	AB	10	D	3	-S
MUC:	AB:	10:	D:	3:	S:
MINI USB CONNECTOR	Type AB	Position	SMD	Type III	With PAD

General Specification

Insulation Material	High temperature housing UL94V-0
Contact Material	Phosphor Bronze
Cover Material	Brass
Plated treatment	Gold Plated 10u"(0.25um) over Nickel
Contact Current	1 Amp
Withstanding Voltage	AC 30V r.m.s
Insulator Resistance	100M• min.
Contact Resistance	50 m• max.
Operation Temp.	-20• •~ +85• •
Mating Fore	35 N max.
Unmating Force	7 N max.
Durability	5000 Cycles
Dimension	Refer to CHINVAY Drawing

General test items and Condition

Item	Test Item	Specification	Condition
1	Dimension	Refer to CHINVAY drawing	
1	Contact Resistance	50 m ohms max.	Measure at 100mA
2	Insulation Resistance	100 M ohms min.	Measure at 100Vdc
4	Capacitance	2 PF min.	Measure at 100+-10Hz between adjacent contacts
5	Mating/ Unmating Force	Mating force:35 N max. Unmating force:7 N min.	speed of 25+/-3mm per minute.
6	Durability	Contact resistance:70m ohms max. Umating force:3 N min	5000 Cycles
7	Vibration	There shall be no loosening parts or electrical discontinuity greater then 0.1 sec.	Frequency:10 to 55 Hz, single Amplitude of 0.75mm, 2 hours in each of the 3 axis.
8	Shock	There shall be no loosening parts or electrical discontinuity greater then 0.1 sec.	Frequency:10 to 2000 Hz, 15 minutes in each of the 3 axis.
9	Thermal Shock	Contact resistance:70m ohms max.	Temperature:-55 • • +20 • • to +35 • • +85 • • +20 • • to +35 • • Time:30 • 2 to 3 • 30 • 2 to 3 10 cycles
10	Humidity	Insulation resistance:10 M ohms min.	168 hours at -10 • • to +65 • • and Relative Humidity of 90% to 98% 7 cycles.
11	Salt Spray	Contact resistance:70 m ohms max.	Salt solution: 5+/-1% by weight Ambient Temperature: 35 • +/- 2 • • Test duration: 48 hours
12	Solderability	With solder coverage: 95% min.	Solder Temperature: 245+/-5 • • Dipping Time: 3+/-0.5 sec.